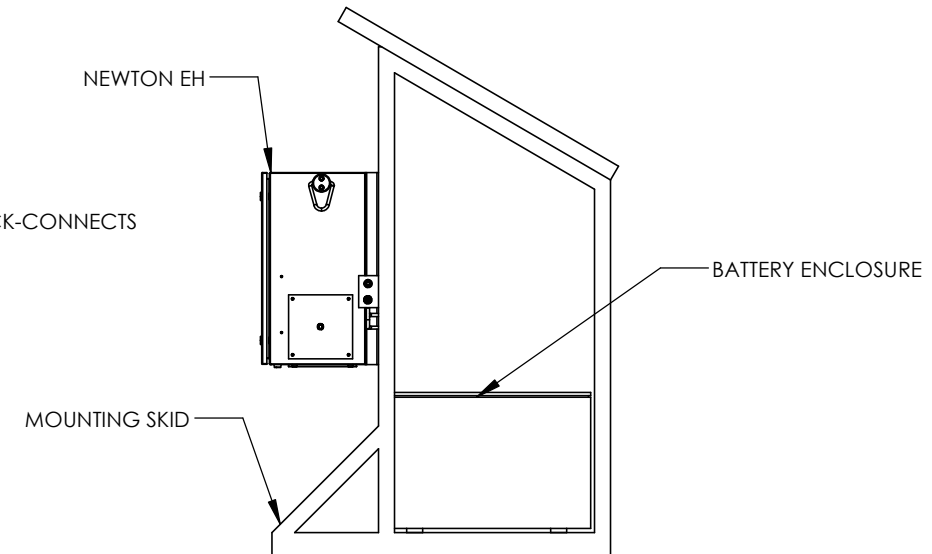
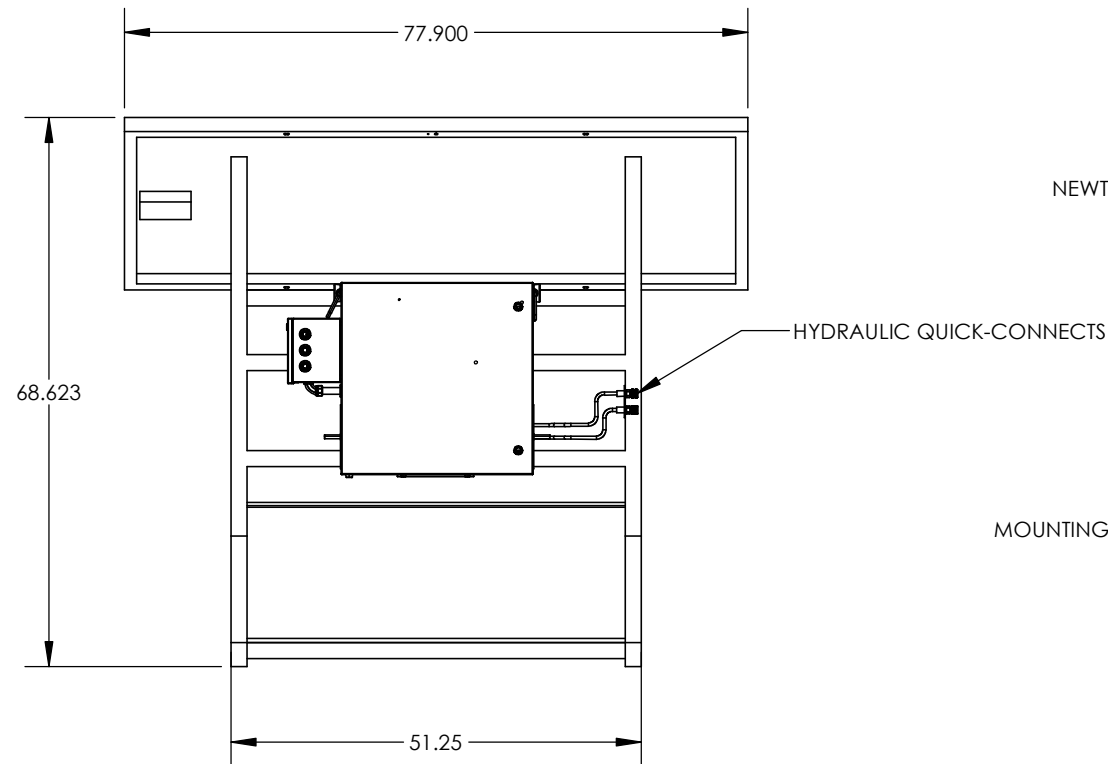
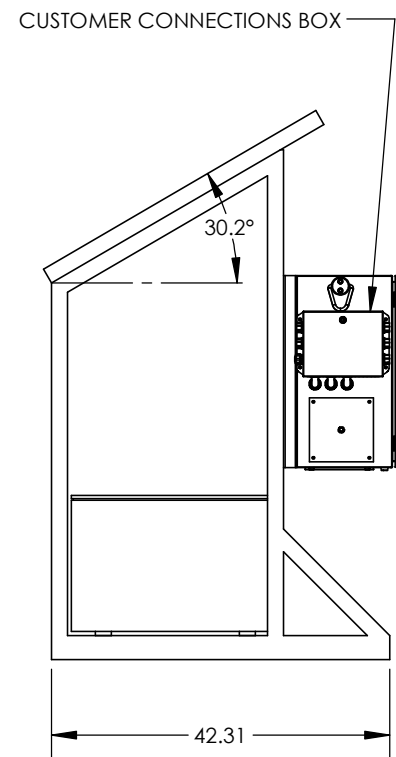
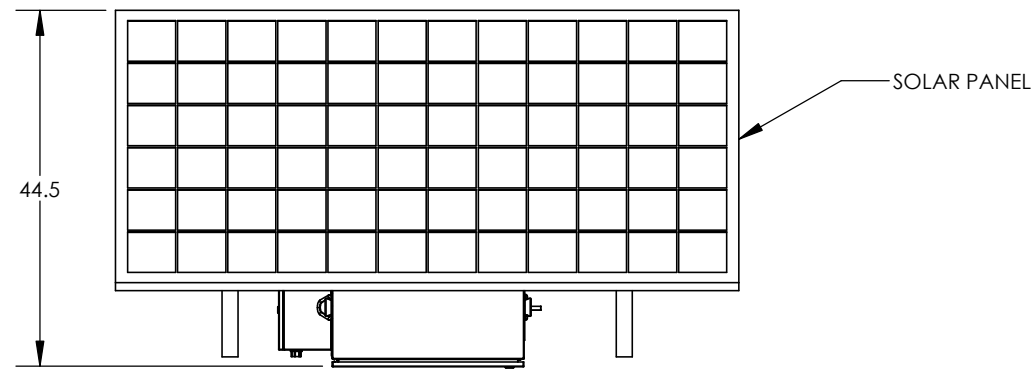
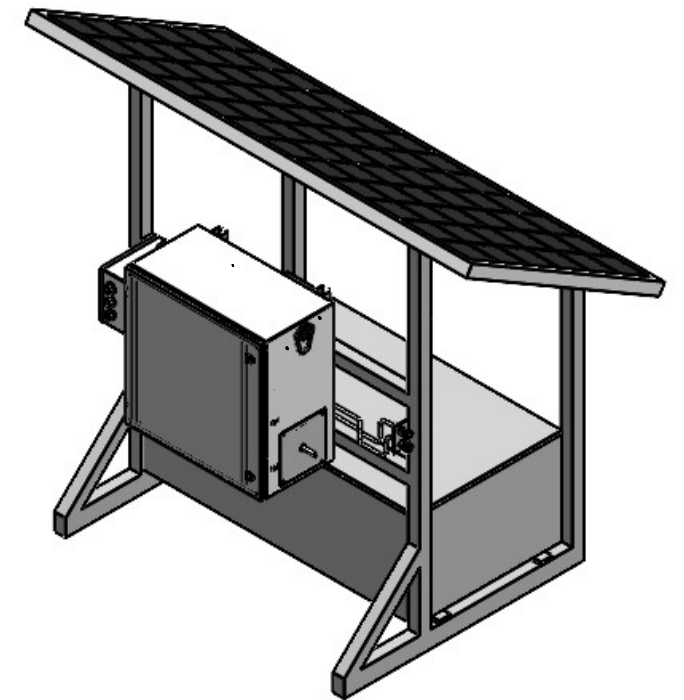


4

3

2

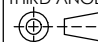
1



- NOTES:
1. PANEL WATTAGE AND BATTERY CAPACITY VARY BY SYSTEM. REFER TO QUOTE FOR SPECIFICS.
 2. 395W PANEL SHOWN.

PROPRIETARY AND CONFIDENTIAL
 THE INFORMATION CONTAINED IN THIS DRAWING IS THE SOLE PROPERTY OF A&M EQUIPMENT. ANY REPRODUCTION IN PART OR AS A WHOLE WITHOUT THE WRITTEN PERMISSION OF A&M EQUIPMENT IS PROHIBITED.

UNLESS OTHERWISE SPECIFIED:
 DIMENSIONS ARE IN INCHES
 TOLERANCES:
 FRACTIONAL ± 1/16
 ONE PLACE DECIMAL ± .030
 TWO PLACE DECIMAL ± .015
 THREE PLACE DECIMAL ± .005

BREAK ALL SHARP EDGES AND REMOVE ALL BURRS
 THIRD ANGLE PROJECTION

 DO NOT SCALE DRAWING

| | | |
|------------|------|---------|
| | NAME | DATE |
| DRAWN BY | MPF | 5/22/24 |
| CHECKED BY | KMJ | 5/22/24 |



TITLE:
SKID MOUNTED NEWTON EH WITH SOLAR ADDER

| | | |
|-------------|--------------|--------------|
| SIZE | DWG. NO. | REV |
| B | 10914 | 0 |
| SCALE: 1:24 | WEIGHT: | SHEET 1 OF 1 |

4

3

2

1

B

B

A

A